

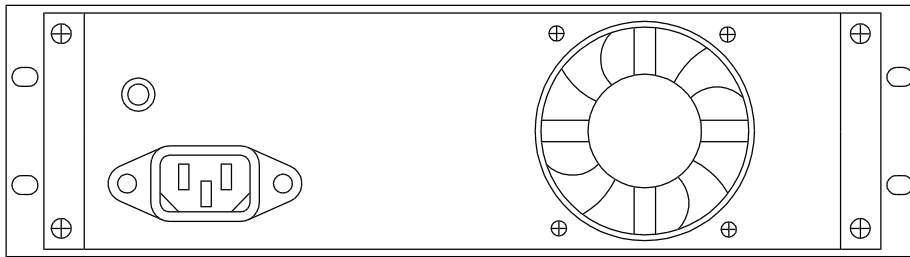
### DESCRIPTION

Designed exclusively for use with TOA's component racks, the BP-031B blower unit forcibly cools amplifiers or other equipment to protect them against heat that can be generated from within the component racks. It is equipped with a 3-position switch (MANUAL-OFF-AUTO).

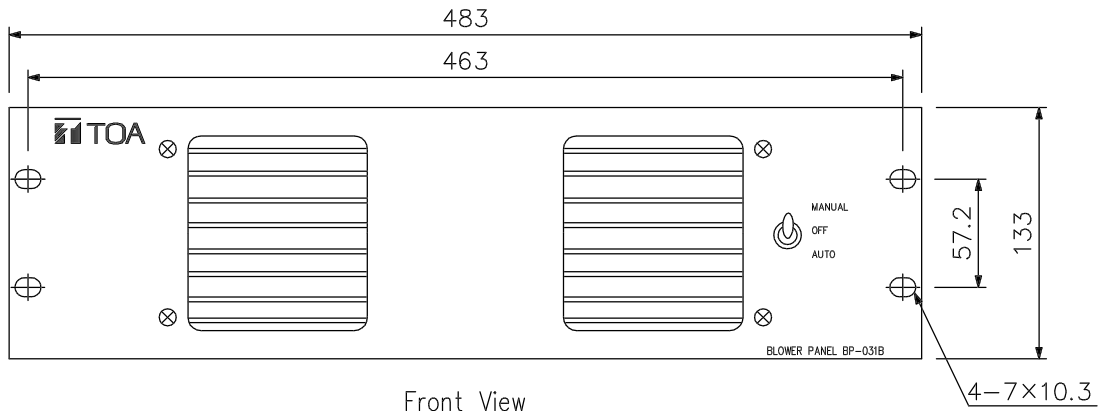
### SPECIFICATIONS

Power Source	220 V AC, 50/60 Hz
Power Consumption	8.5 W
Control	3-position switch (MANUAL/OFF/AUTO)
Protection	1 AC Fuse
Automatic Operation	Thermal Switch ON (When rack temperature exceeds 48°C) Thermal Switch OFF (When rack temperature drops below 38°C)
Ventilation	1500 ml/min.
Finish	Panel: Surface-treated steel plate, black, 30% gloss, paint
Dimensions	483 (W) × 133 (H) × 152.7 (D) mm
Weight	3.7 kg
Accessory	Rack mounting screw (with washer).....4, Fuse.....1

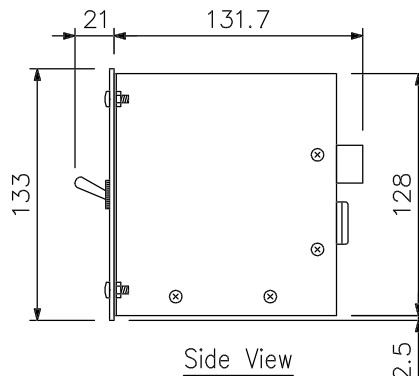
### APPEARANCE



Rear View



Front View



Side View

UNIT:mm SCALE:1/4